



grande royale

RIDER 2017

CONTACT:

Calle Ljungström
+46 735 924 909

(Bass Guitar)
info@granderoyaleofficial.com

Hampus Steenberg
+46 768 560 294

(Vocals)
info@granderoyaleofficial.com

Grande Royale

Facebook Messenger

Band Members:

Hampus Steenberg
Gustav Wremer
Andreas Jenå
Calle Ljungström
Johan Häll

Lead Vocals
Lead Guitar/Vocals
Guitar
Bass/Vocals
Drums

Hospitality:

Some coffee and some sandwiches at arrival and some cooked fresh food after soundcheck for 5 people.

Loge:

The loge shall be situated close to the stage and the door/doors shall be lockable. The loge shall be big enough to have room for the whole touring companionship. It should also be furnished with tables, chairs, a couch and mirrors. A shower and WC in connection with the loge is desirable.

In the Loge:

- 10 bottles of still water.
- 2 cases (40 pieces, preferred with 4,2% alcohol) of beer.
- 2 bottles of red wine.

GRANDE ROYALE – RIDER 2017

Hotel:

Hotell shall be booked for 5 people, unless otherwise is agreed upon. WC and shower in the rooms, and breakfast shall be included.

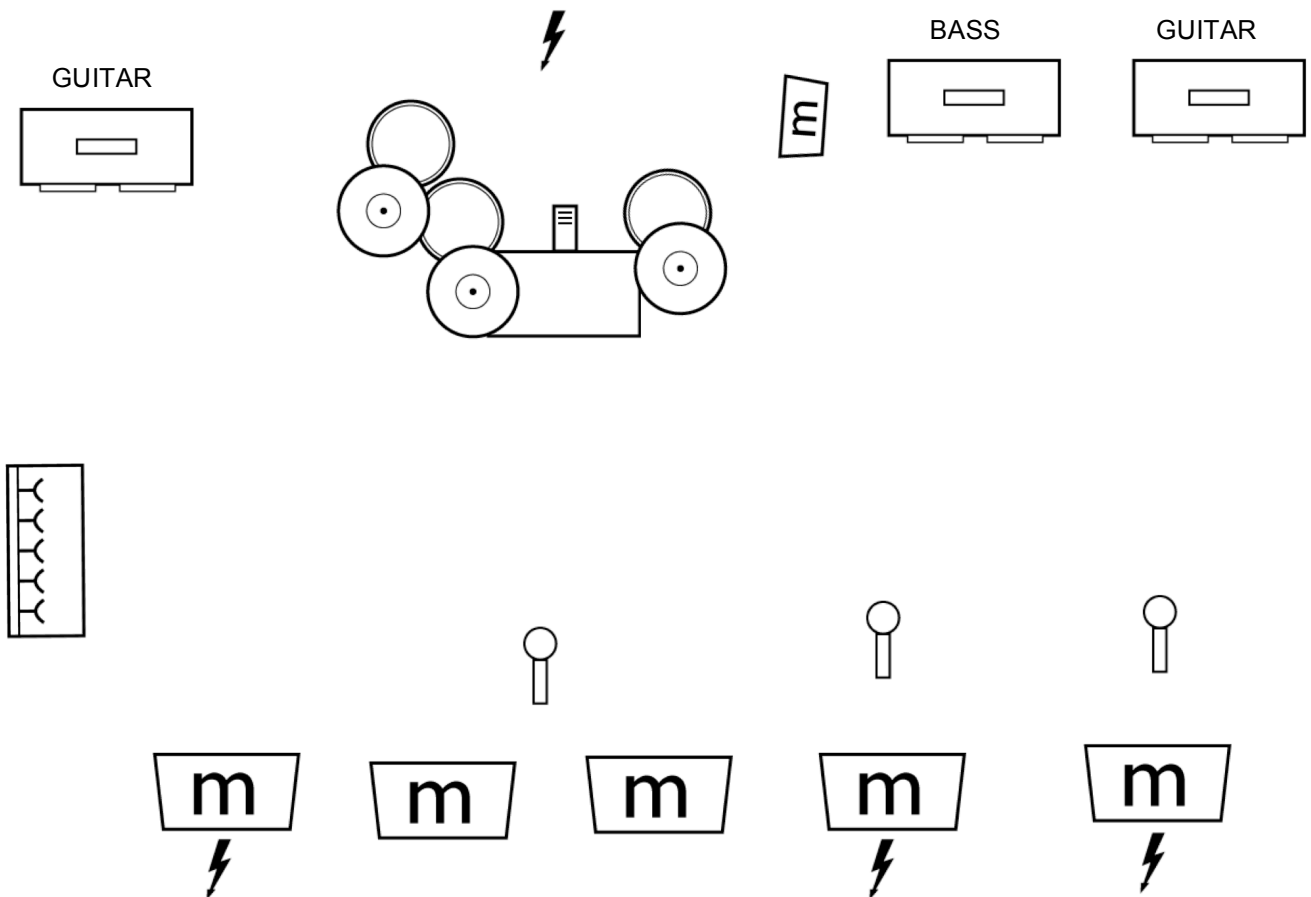
Soundcheck:

The Artist shall have the option to perform a sound check during at least 30 minutes, undisturbed, before opening. Without limitations regarding volume of sound or other restrictions. If this is not possible, let us know immediately.

Other:

The band will bring a backdrop (2mx2m) with straps to put up behind the drums and amplifiers. There should also be possible for the band to play four tracks (Hellacopters, Glucifer etc.) before the show leading to a pre-recorded intro before hitting the stage, the media file will be played with our own mp3-player. A regular headphone 3,5mm connection will be required at the mixing desk.

Stage Plot:



Input List

	Input source	Mic	Stand		Effect
1.	Kick	Beta 52/d6	Short bom tripod		
2.	Snare top	sm57/beta57	Short bom tripod		Short Plate
3.	Snare bottom	604/904	Cllip		
4.	Hh	AKG 541/ SM81	Short boom Round foot		
5.	Rack tom	604/904	Cllip		Short Plate
6.	Floor tom	604/904	Cllip		Short Plate
7.	Overhead	AKG 541/ SM81	Boom tripod		
8.	Overhead	AKG 541/ SM81	Boom tripod		
9.	Bass mic	MD 421	Short boom Round foot		
10.	Bass D.I	Radial J48		From pedalboard	
11.	Guitar SR Andy	Sm57/606	Short boom Round foot		
12.	Guitar SL Gurra	Sm57/606	Short boom Round foot		
13.	Vocals Hampe (Lead)	Beta58	Straight Round foot		Slapback delay Hall
14.	Vocals Gurra	Beta58	Boom tripod		Hall
15.	Vocals Calle	Beta58	Boom tripod		Hall

Monitors

We need 6 - 7 wedges on 5 separate systems.

2 wedges on lead vocals and drums.

- | | | |
|----|--------------------------------|-------|
| 1. | Andy -Guitars | SR |
| 2. | Hampe - Lead vocals (2 wedges) | CR |
| 3. | Gurra - Guitars | CL |
| 4. | Calle - Bass | SL |
| 5. | Johan - Drums | Drums |